

T2863, R2863

863 MHz Portable FM Communication - Europe

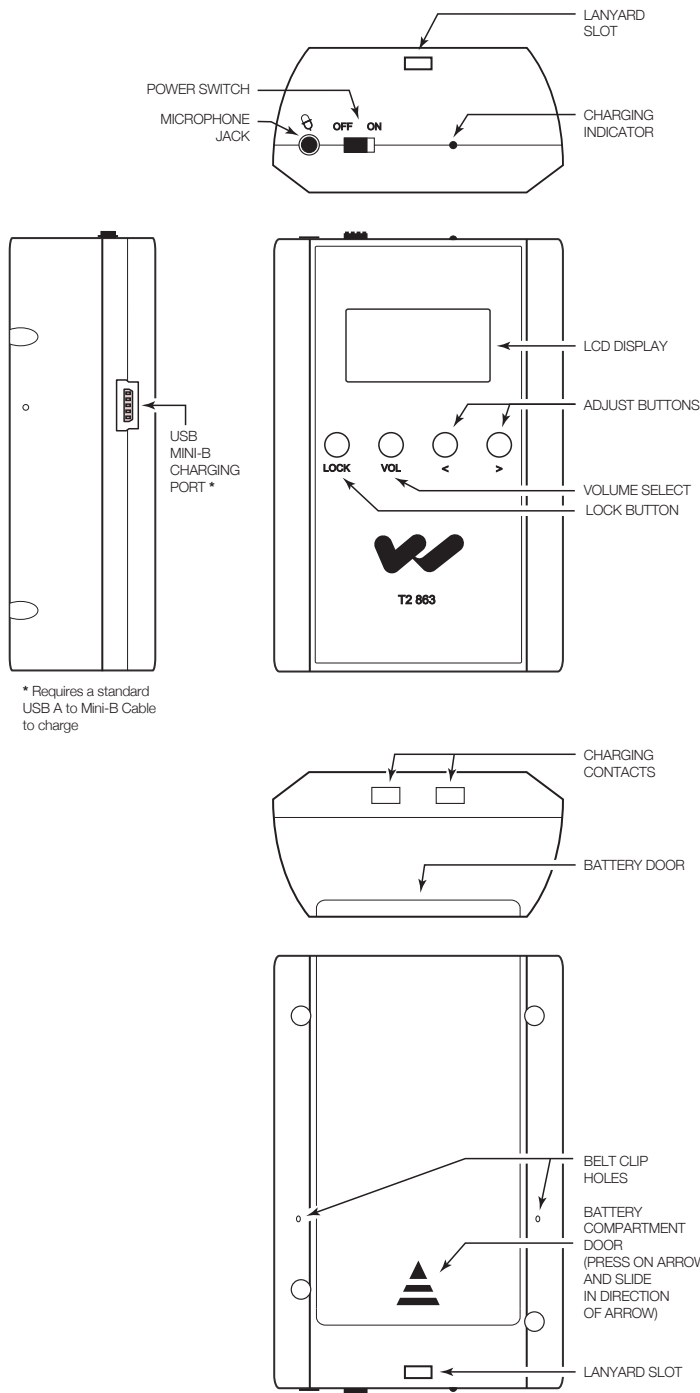


NEW! The T2 863 FM transmitter and R2 863 FM receiver are compact, simple to use and now offer an expanded range of up to 150m (500 feet). Each has an easy-to-read LCD display, with quick status views and immediate access to 16 user-selectable, pre-set frequencies. Optimized for use in Europe, this tandem offers the exceptional audio quality you've come to expect from Williams Sound.

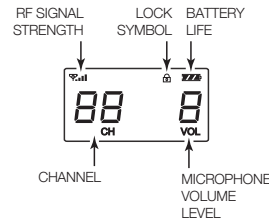
The T2 863 and R2 863 can be used with Alkaline AA batteries, or rechargeable NiMH AA batteries (requires a USB A to Mini-B cable). The new technology accommodates a variety of microphone/headphone/neckloop options, and is ideal for use in assistive listening, tour guide and simultaneous interpretation scenarios.

863 MHz Portable FM Communication - Europe

T2863 Transmitter:



* Requires a standard USB A to Mini-B Cable to charge



System Specifications

T2863 Transmitter

Battery Type: Two AA 1.5 V non-rechargeable Alkaline batteries (BAT 001-2), or Two AA 1.5 V rechargeable NiMH batteries (BAT 026-2), charge with a USB A to Mini-B cable.

Battery Life: Alkaline (BAT-001-2): 12 hrs
NiMH (BAT 026-2): 11 hrs

Operating Frequencies: Selectable, 16 channels, 863 – 865 MHz:

Ch. 1	863.075	Ch. 9	864.075
Ch. 2	863.200	Ch. 10	864.200
Ch. 3	863.325	Ch. 11	864.325
Ch. 4	863.450	Ch. 12	864.450
Ch. 5	863.575	Ch. 13	864.575
Ch. 6	863.700	Ch. 14	864.700
Ch. 7	863.825	Ch. 15	864.825
Ch. 8	863.950	Ch. 16	865.000

Non-interfering group channels: 1, 4, 8, 11, 16. Can be used simultaneously for up to 5 groups.

Output Power: 10 dBm

Distance: Up to 150 m (500 ft) Line of Sight

External Controls: *Top:* Power On/Off slide switch.
Front: Momentary push buttons.

Audio Input: 3.5 mm, microphone/audio

Dimensions: 75 mm x 50 mm x 25 mm

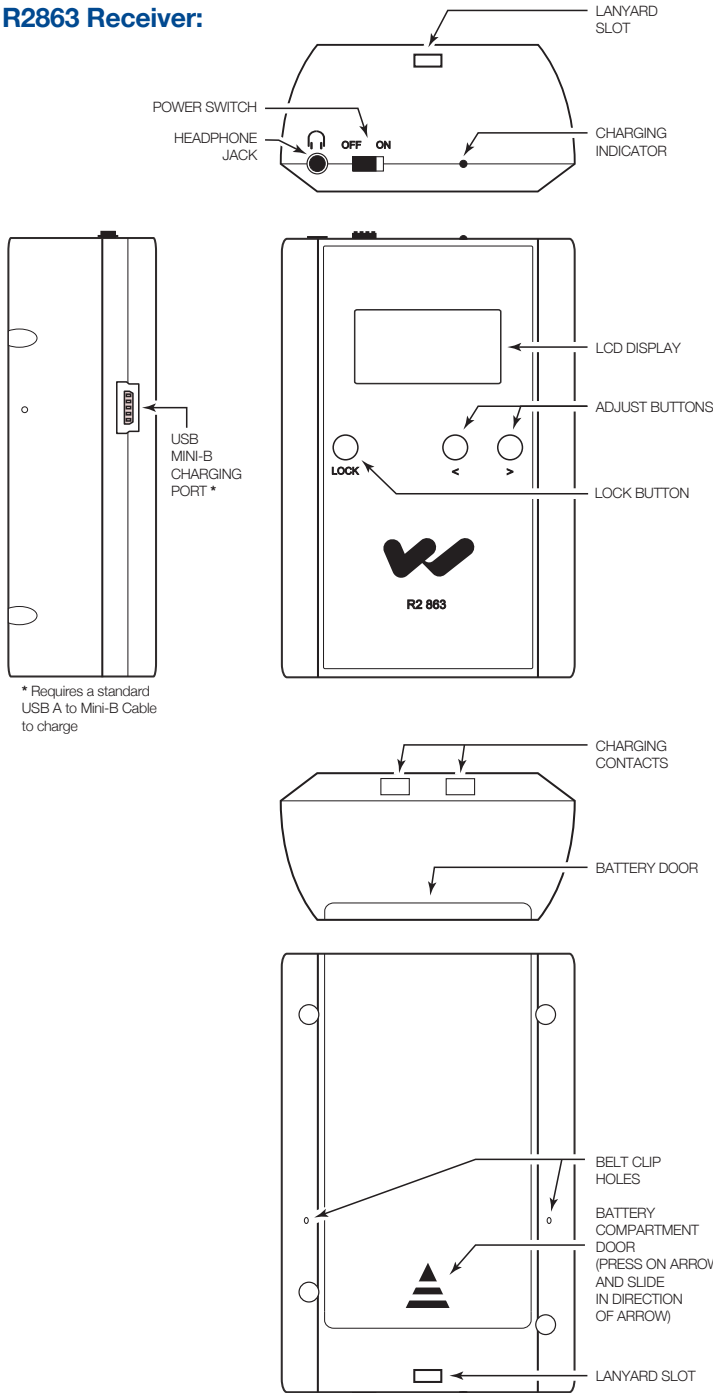
Weight: 45 g (without batteries)

Warranty: 2 years

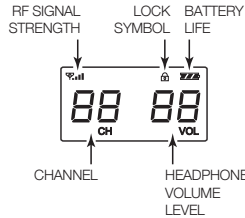
NOTE: SPECIFICATIONS SUBJECT TO CHANGE WITHOUT NOTICE!

863 MHz Portable FM Communication - Europe

R2863 Receiver:



* Requires a standard USB A to Mini-B Cable to charge



System Specifications

R2863 Receiver

Battery Type: Two AA 1.5 V non-rechargeable Alkaline batteries (BAT 001-2), or Two AA 1.5 V rechargeable NiMH batteries (BAT 026-2), charge with a USB A to Mini-B cable.

Battery Life: Alkaline (BAT-001-2): 30 hrs
NiMH (BAT 026-2): 20 hrs

Operating Frequencies: Selectable, 16 channels, 863 – 865 MHz:

Ch. 1 863.075	Ch. 9 864.075
Ch. 2 863.200	Ch. 10 864.200
Ch. 3 863.325	Ch. 11 864.325
Ch. 4 863.450	Ch. 12 864.450
Ch. 5 863.575	Ch. 13 864.575
Ch. 6 863.700	Ch. 14 864.700
Ch. 7 863.825	Ch. 15 864.825
Ch. 8 863.950	Ch. 16 865.000

Non-interfering group channels: 1, 4, 8, 11, 16. Can be used simultaneously for up to 5 groups.

Sensitivity: -110 dBm

Distance: Up to 150 m (500 ft) Line of Sight

External Controls: *Top:* Power On/Off slide switch.
Front: Momentary push buttons.

Audio Output: 3.5 mm stereo/mono headphone jack

Frequency Response: 20 Hz - 16 kHz

Dimensions: 75 mm x 50 mm x 25 mm

Weight: 45 g (without batteries)

Warranty: 2 years

NOTE: SPECIFICATIONS SUBJECT TO CHANGE WITHOUT NOTICE!

Domestic Sales

Williams Sound
10300 Valley View Rd.
Eden Prairie, MN 55344
Ph: 800-328-6190 / 952-943-2252
FAX: 952-943-2174
Email: info@williamssound.com
Web: www.williamssound.com

International Sales

International Sales Department
Williams Sound
10300 Valley View Rd.
Eden Prairie, MN 55344 USA
Phone: +1 952 943 2252
Fax: +1 952 943 2174
Email: info-intl@williamssound.com
Web: www.williamssound.com



800.843.3544 / info@williamssound.com / www.williamssound.com