

Personal PA[®] T35 Technical Bulletin

Connecting a PPA T35 transmitter to a 70.7 Vrms Distributed Sound System

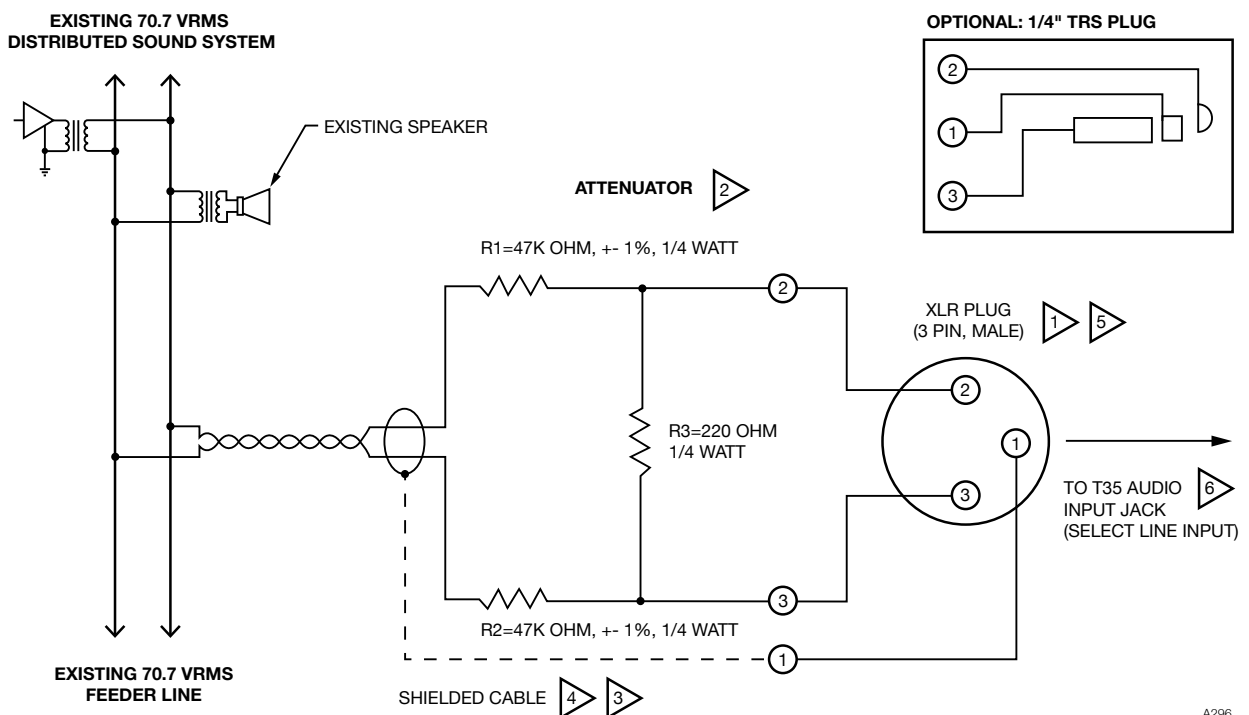
TECHNICAL BULLETIN

IMPORTANT: To prevent damage to the T35 input circuitry, an attenuator is necessary if the audio input is connected to a 70.7 Vrms distributed sound system feeder line (or any voltage greater than 10 Vrms). The recommended T35 connection to a 70.7 Vrms feeder line is shown in the diagram below.

If at all possible, use the "line out" signal from existing sound equipment into the T35 since this is of superior quality (lower noise, distortion and hum) and preferred over the signal from a 70.7 Vrms distributed sound system.

Recommendations:

1. Recommended plug is a XLR (3 pin, male). (Optional plug is a 1/4" TRS). The attenuator may be built into the XLR shell.
2. To optimize performance, R1 and R2 should have +-1 % value tolerance. This will reduce hum and noise due to common mode signals. Metal film resistors should be used to reduce noise.
3. The optimum cable for long runs is a shielded, twisted pair. This will reduce hum and noise pickup in noisy environments.
4. To avoid ground loops, don't connect the shield at pin 1 of the XLR to the ground of any other equipment.
5. XLR pin 2 is the in-phase (+) and pin 3 the out of phase (-) input signal to the T35.



A296

CAUTION: The absolute maximum input signal level to the audio input jack of the T35 is 10 Vrms (+20 dBv).



10300 Valley View Rd • Eden Prairie, MN 55344
800-328-6190 / 952-943-2252 • FAX: 952-943-2174
www.williamssound.com