

WIR TX75/b Infrared Transmitter Quick Setup Guide

Determine Transmitter placement

Determine the best location where the TX75 or TX75b will cover the desired area. Remember, IR signals need a clear line of sight to the receiver for optimum reception. It is usually better to have the transmitter located above the height of the receiver users.

The transmitter can be mounted on the wall or ceiling with the included mounting bracket. An optional microphone adapter is available for mounting to microphone stands. The threaded connector on the top and bottom of the transmitter is standard to most camera tripods.

Plug the power supply into the transmitter. Make sure the green power LED is on. Install the audio input cord of your choice and apply signal to the transmitter input 1, 2 or both. The audio level indicator should be blinking at peak audio

levels. Be sure that the receivers are set to the same channel/frequency used on the transmitter.

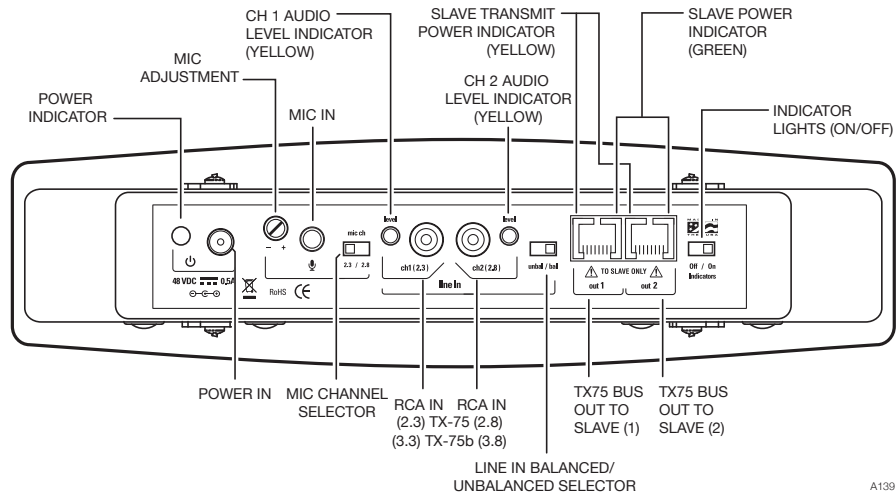
Important: Remember to point the transmitter towards the listening audience.

Remember: Most objects block infrared light. The transmitter cannot be concealed behind walls, glass, curtains, etc.

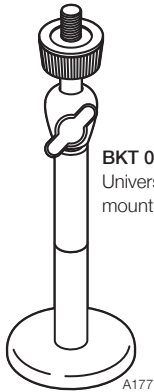
Optional WIR TX75-S emitter for Additional Coverage

For larger facilities, additional emitters can be used to increase the total coverage area. The WIR TX75 is capable of driving two WIR TX75-S slave emitters. Power, baseband and digital data bus are fed via CAT-5e cable to each TX75-S slave.

WIR TX75 Master Rear View

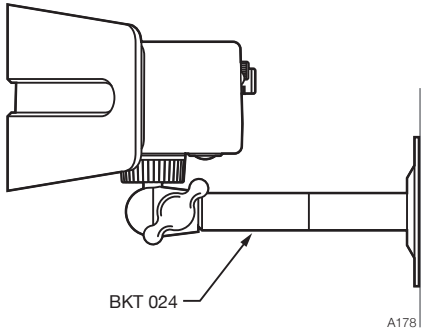


Hardware Mounting Options



BKT 024
Universal wall / ceiling
mount (included)

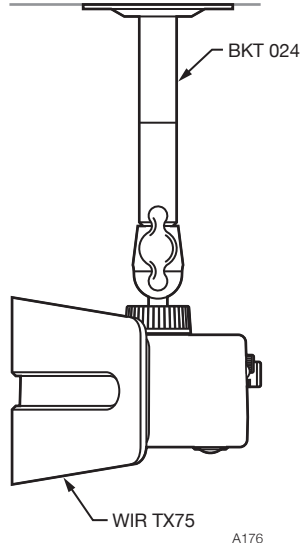
WALL MOUNT



BKT 024

A178

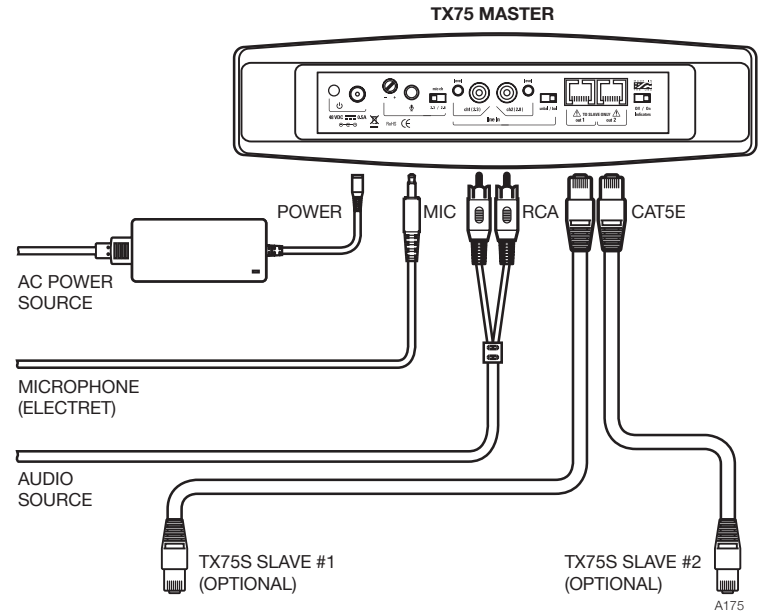
CEILING MOUNT



WIR TX75

A176

Typical Set-Up



FOR MORE DETAILED INFORMATION, PLEASE REFER TO THE INCLUDED MANUAL.



10300 Valley View Rd • Eden Prairie, MN 55344
800-328-6190 / 952-943-2252 • FAX: 952-943-2174
www.williamssound.com